

# SHANK BRUSHES - ROUND / FLAT

Shank brushes can be remotely mounted and fed from valves on a central dispenser.

## STANDARD MATERIALS:

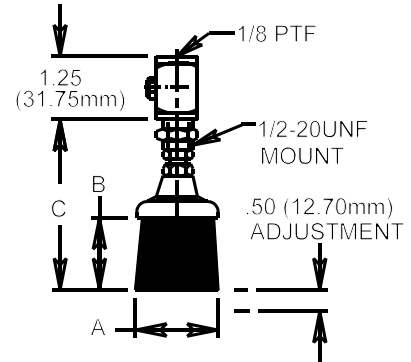
- Aluminum construction
- Pipe threads are dryseal
- Three sizes of round brushes available

## OPERATING CONDITIONS:

- Nylon maximum working temperature up to 250°F (121.1°C)
- For temperatures over 250°F (121.1°C), please specify stainless steel

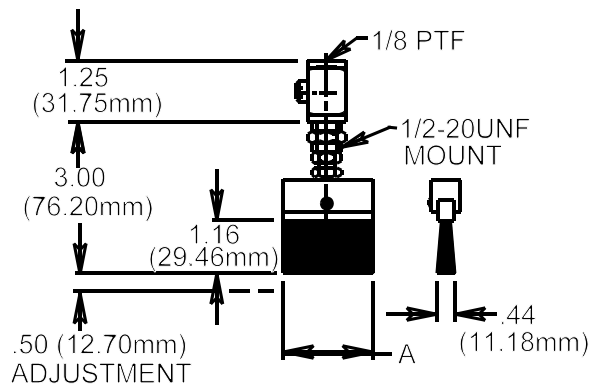
CATALOG NUMBER	BRUSH MATERIAL	A INCHES (mm)	B INCHES (mm)	C INCHES (mm)
SB102-2	NYLON	.62 Dia (15.75)	1.00 (25.40)	3.00 (76.20)
SB103-2	NYLON	1.00 Dia (25.40)	1.62 (41.15)	3.62 (91.95)
SB104-2	NYLON	1.50 Dia (38.10)	1.62 (41.15)	3.62 (91.95)

## ROUND SHANK BRUSH



- Five sizes of flat insertable brushes are available.
- .50 (12.70 mm) adjustment for wear is provided.

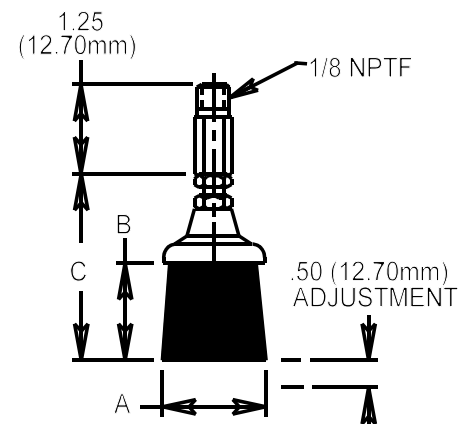
## FLAT SHANK BRUSH



CATALOG NUMBER	BRUSH MATERIAL	A - INCHES (mm)
SB301-2	NYLON	.50 (12.70)
SB303-2		1.00 (25.40)
SB304-2	NYLON	1.50 (38.10)
SB305-2		2.25 (57.15)

CATALOG NUMBER	BRUSH MATERIAL	A INCHES (mm)	B INCHES (mm)	C INCHES (mm)
SB204-2	NYLON	1.50 Dia. round (38.10)	1.62 (41.15)	3.00 (76.20)
SB204-3	ST. STEEL			
SB354-2	NYLON	1.50 X .44 Flat (38.10 X 11.18)	1.16 (29.46)	2.38 (60.45)
SB354-3	ST. STEEL			
SB355-2	NYLON	2.25 X .44 Flat (57.15 X 11.18)	1.16 (29.46)	2.38 (60.45)
SB355-3	ST. STEEL			

## ROUND & FLAT BRUSH WITH PIPE THREAD



**Note:** All shank brushes shown on this sheet require separate control for fluid metering.



Lube Devices • Flodar • Hydra-Tool • Vescor  
 1864 Nagle Ave. P. O. Box 1810  
 Manitowoc, WI 54221-1810  
 Phone: (920) 682-6877 Fax: (920) 684-7210  
 E-MAIL: sales@ldi-industries.com WEBSITE: www.ldi-industries.com

SHANK BRUSHES - ROUND / FLAT  
**BULLETIN F497-1**  
 8/06 ISO9001:2000 CERTIFIED