

RESERVOIRS - ELECTRO MULTIPLE FEED

Multiple feed, large capacity electro reservoirs with central mounting shank provide for controlled lubrication for up to 30 points from one location. Solenoid valve automatically controls full flow of oil from reservoir to valves. Drip of feed rate is determined by your adjustment of each needle valve. Large reservoir provides 360° viewing at a glance. Units with odd number of feeds will be furnished with greater number of feeds to the right side unless otherwise specified. For outdoor or damp applications, **please specify anodized**. For replacement feeds, please order P/N 352890.

STANDARD MATERIALS:

- Aluminum construction
- Buna N seals
- Class 'B' molded water resistant coil
- Break resistant, colorless transparent polymer

HOW TO ORDER:

After catalog number, specify number of feeds and voltage/hertz required, separating each with a dash, (-).

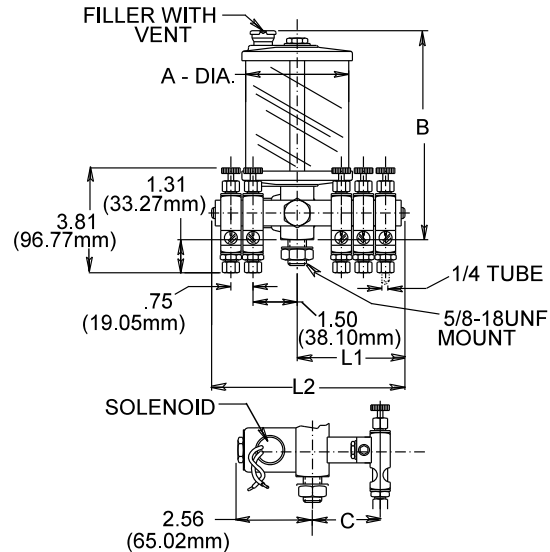
FEEDS:	VOLTAGE:
-02 Specify 02	-26 120V/60Hz, 1Ph
-30 through 30 feeds.	-27 240V/60Hz, 1Ph
(2 feeds are standard).	-28 480V/60Hz, 1Ph
	-43 24V, DC

EXAMPLE:

REM153-02-26 _____ 120V/60Hz, 1Ph.
 _____ 2 feeds (standard)
 _____ Series REM153 - (1 pt [.47 liter] capacity reservoir)

OPERATING CONDITIONS:

- Maximum working temperature up to 140°F (60°C)
- Rating is at atmospheric pressure



MODIFICATIONS AVAILABLE MADE TO ORDER - CONSULT OUR FACTORY. (MINIMUM ORDER MAY BE REQUIRED)

CATALOG NUMBER	CAPACITY	A INCHES (mm)	B INCHES (mm)	C INCHES (mm)
POLYMER				
REM151	9 ounce (266.16 milliliter)	3.00 (76.20)	6.00 (152.40)	2.00 (50.80)
REM152	12 ounce (354.88 milliliter)	3.00 (76.20)	7.00 (177.80)	2.00 (50.80)
REM153	1 pint (.47 liter)	3.50 (88.90)	7.00 (177.80)	2.25 (57.15)
REM154	1 quart (.95 liter)	4.25 (107.95)	8.44 (214.38)	2.62 (66.55)
REM155	1/2 gallon (1.9 liter)	5.50 (139.70)	10.44 (265.18)	3.25 (82.55)
REM156	1 gallon (3.8 liter)	5.50 (139.70)	15.44 (392.18)	3.25 (82.55)
REM157	2 gallon (7.6 liter)	5.50 (139.70)	28.44 (722.38)	3.25 (82.55)

FEEDS	-02 INCHES (mm)	-03 INCHES (mm)	-04 INCHES (mm)	-05 INCHES (mm)	-06 INCHES (mm)	-10 INCHES (mm)	-20 INCHES (mm)	-30 INCHES (mm)
L1	2.19 (55.62)	2.94 (74.68)	2.94 (74.68)	3.69 (93.73)	3.69 (93.73)	5.19 (131.83)	8.94 (227.08)	12.69 (322.33)
L2	4.38 (111.25)	5.00 (127.00)	5.88 (149.35)	6.62 (168.15)	7.38 (187.45)	10.38 (263.65)	17.88 (454.15)	25.38 (644.65)

RESERVOIR - ELECTRO
MULTIPLE FEED

5/07 **BULLETIN F567-1**
ISO9001:2000 CERTIFIED



Lube Devices • Flodar • Hydra-Tool • Vescor
 1864 Nagle Ave. P. O. Box 1810
 Manitowoc, WI 54221-1810
 Phone: (920) 682-6877 Fax: (920) 684-7210
 E-MAIL: sales@ldi-industries.com WEBSITE: www.ldi-industries.com