

RESERVOIRS- MANUAL CHAIN OILER

LDI INDUSTRIES' manual chain oiler features nine long wearing nylon or stainless steel bristle brushes. There are five sizes of flat brushes available at a fraction of former cost. Flat brushes can be set at bias to adapt to width needed or be trimmed to suit individual preferences. The toggle shut-off on the reservoir can be turned on and off without affecting the previously set feed rate. The drip rate is clearly visible through the large viewing window in the mounting shank. The central mounting shank facilitates mounting to customer supplied bracket. The lubricator is easily disassembled for occasional cleaning. For replacement brushes see Bulletin F517-1.

STANDARD MATERIALS:

- Aluminum construction
- Buna N seals
- Break resistant, colorless transparent polymer

OPERATING CONDITIONS:

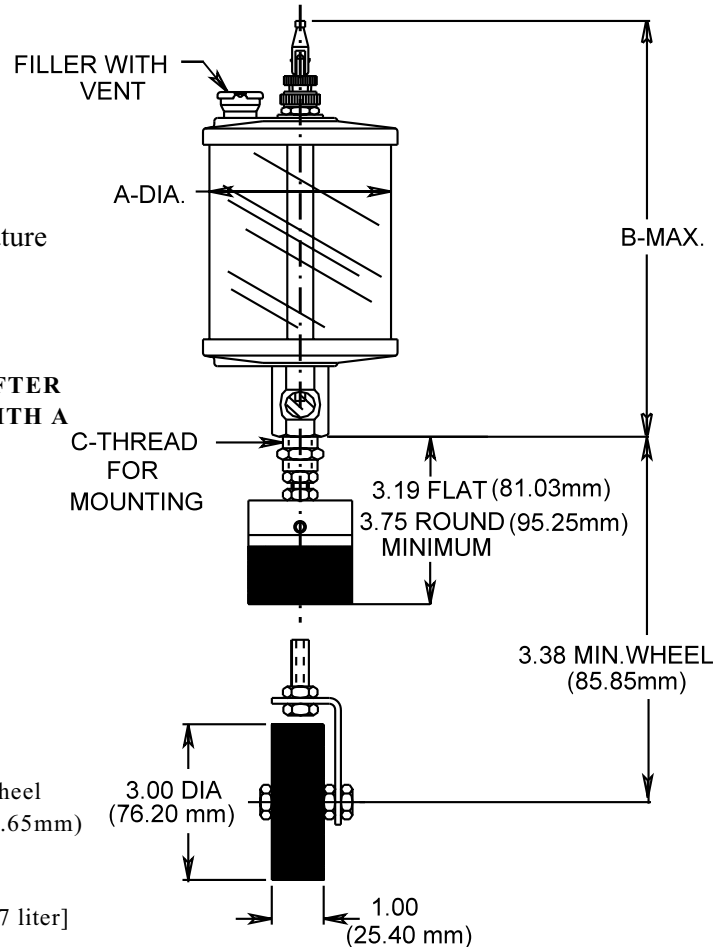
- Polymer maximum working temperature up to 140° F (60°C)
- Nylon brush maximum working temperature up to 250°F (121.1°C)
- Stainless steel brush for maximum working temperature over 250°F (121°C)
- Ratings are at atmospheric pressure

HOW TO ORDER:

WHEN ORDERING SPECIFY THE FOLLOWING AFTER THE CATALOG NUMBER, SEPARATING EACH WITH A DASH (-).

- N Nylon bristle
- S Stainless steel bristle
- 1 .50 X .38 (12.70 mm X 9.65 mm) flat brush
- 2 .75 X .38 (19.05 mm X 9.65 mm) flat brush
- 3 1.00 X .38 (25.40 mm X 9.65 mm) flat brush
- 4 1.50 X .38 (38.10 mm X 9.65 mm) flat brush
- 5 2.25 X .38 (57.15 mm X 9.65 mm) flat brush
- 6 .62 (15.75 mm) diameter round brush
- 7 1.00 (25.40 mm) diameter round brush
- 8 1.50 (38.10 mm) diameter round brush
- 9 3.00 (76.20 mm) diameter X 1.00 (25.40 mm) rotary wheel

EXAMPLE: **RDB308-N-3** — 1.00 X .38 (25.40 mm X 9.65mm)
 flat brush
 Nylon bristle
 Series RDB308 (1 pint [.47 liter] capacity reservoir)



CATALOG NUMBER	CAPACITY	A INCHES (mm)	B INCHES (mm)	C THREAD
RDB303	2-1/2 ounce (73.9 milliliter)	2.00 (50.80)	5.19 (131.83)	1/2-20 UNF
RDB304	5 ounce (147.9 milliliter)	2.50 (63.50)	5.75 (146.05)	1/2-20 UNF
RDB306	9 ounce (266.2 milliliter)	3.00 (76.20)	7.00 (177.80)	5/8-18 UNF
RDB307	12 ounce (354.9 milliliter)	3.00 (76.20)	8.38 (212.85)	5/8-18 UNF
RDB308	1 pint (.47 liter)	3.50 (88.90)	8.38 (212.85)	5/8-18 UNF
RDB309	1 quart (.95 liter)	4.25 (107.95)	9.38 (238.25)	5/8-18 UNF
RDB310	1/2 gallon (1.9 liter)	5.50 (139.70)	11.31 (287.27)	5/8-18 UNF
RDB311	1 gallon (3.8 liter)	5.50 (139.70)	16.31 (414.27)	5/8-18 UNF



Lube Devices • Flodar • Hydra-Tool • Vescor
 1864 Nagle Ave. P. O. Box 1810
 Manitowoc, WI 54221-1810
 Phone: (920) 682-6877 Fax: (920) 684-7210
 E-MAIL: sales@ldi-industries.com WEBSITE: www.ldi-industries.com

RESERVOIRS-
 MANUAL CHAIN OILER
 5/06 BULLETIN F607-2
 ISO9001:2000 CERTIFIED