

CONSTANT LEVEL RESERVOIRS

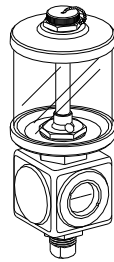
LDI INDUSTRIES' constant level reservoirs feature a large sight window for viewing liquid level and fluid condition. Furnished with "OIL LEVEL" and line for positive level viewing. Reservoirs can be mounted on the side or bottom. They can be vented to atmosphere or back vented to housing.

STANDARD MATERIALS:

- Aluminum construction
- Buna N seals
- Break resistant, colorless transparent polymer
- Borosilicate glass for fluid compatibility and thermal shock
- Pilot duty switch closes (activates) on descending level (conduit included)

OPERATING CONDITIONS:

- Polymer up to 140° F (60°C)
- Glass up to 180° F (82.2°C)
- Ratings are at atmospheric pressure
- For applications requiring maximum working temperatures of 180° F (82.2°C) and above, please consult factory.



- Low Level Switch Reservoirs available in large capacity units 1 quart (.95 liter), 1/2 gallon (1.89 liter), and 1 gallon (3.79 liter) sizes.

FIG. 1 - TOP FILL WITH SIGHT WINDOW

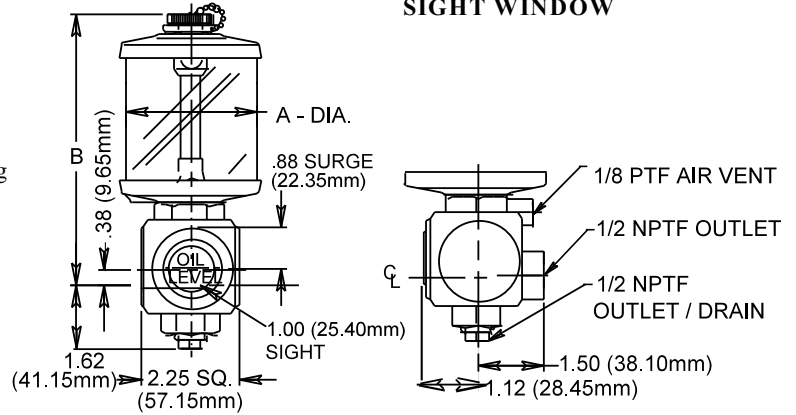


FIG. 2 - LOW LEVEL SWITCH

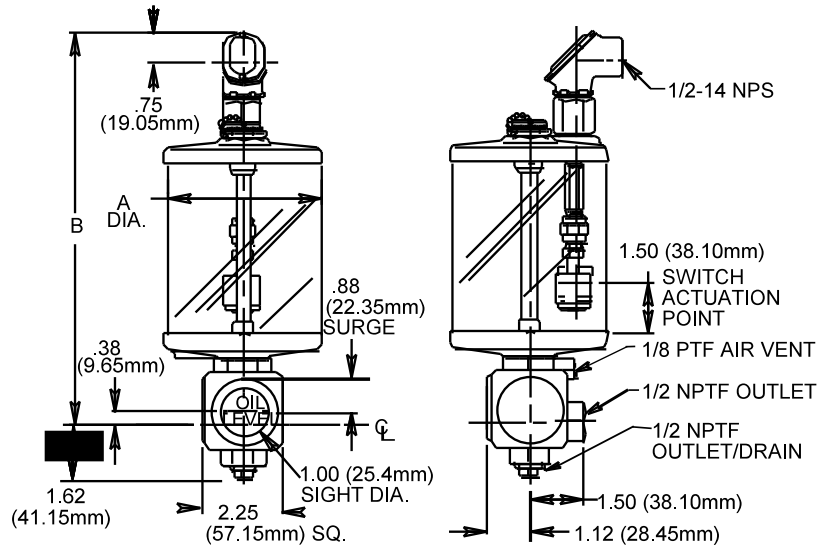


FIG	PIPE MOUNT		CAPACITY	A INCHES (mm)	B INCHES (mm)
	POLYMER	GLASS			
1	-	RCL311	2.50 ounce (73.93 milliliter)	2.00 (50.80)	4.88 (123.95)
	RCL302	-	5 ounce (147.87 milliliter)	2.50 (63.50)	5.38 (136.65)
	RCL303	RCL313	9 ounce (266.16 milliliter)	3.00 (76.20)	6.19 (157.23)
	-	-	1 pint (.47 liter)	3.50 (88.90)	7.19 (182.63)
	-	RCL315	1 quart (.95 liter)	4.25 (107.95)	8.44 (214.38)
2	RCL305LS	-	1 quart (.95 liter)	4.25 (107.95)	10.94 (277.88)
	RCL306LS	-	1/2 gallon (1.89 liter)	5.50 (139.70)	13.00 (330.20)
	-	-	1 gallon (3.79 liter)	5.50 (139.70)	18.00 (457.20)



Lube Devices • Flodar • Hydra-Tool • Vescor
 1864 Nagle Ave. P. O. Box 1810
 Manitowoc, WI 54221-1810
 Phone: (920) 682-6877 Fax: (920) 684-7210
 E-MAIL: sales@ldi-industries.com WEBSITE: www.ldi-industries.com

CONSTANT LEVEL RESERVOIRS
 5/07 BULLETIN F747-11
 ISO9001:2000 CERTIFIED