

CONSTANT LEVEL RESERVOIRS - SIDE & BOTTOM OUTLET

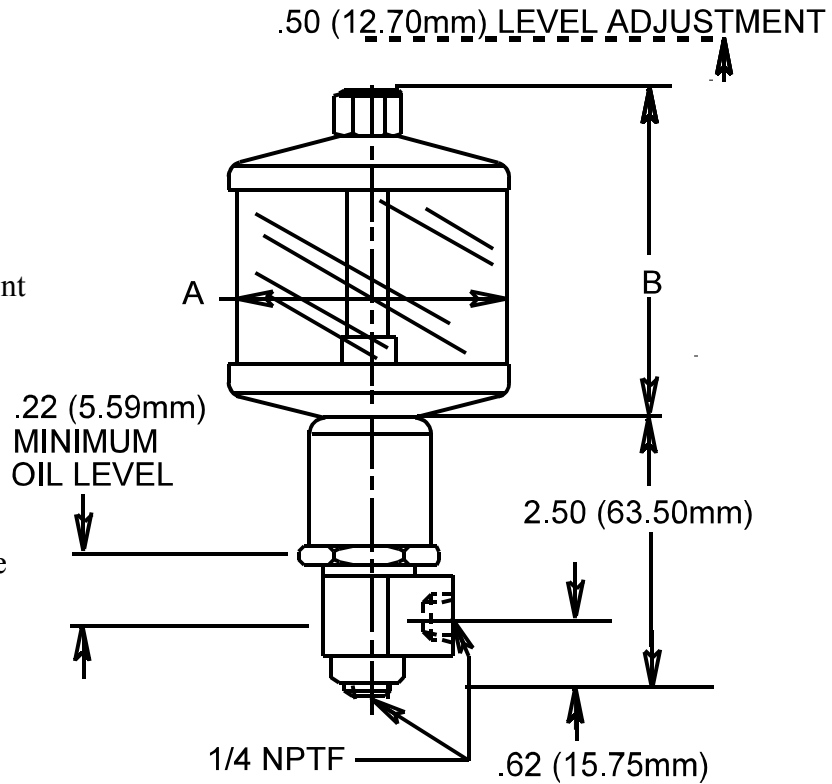
The combination dual side or bottom outlet reservoirs complement side outlet constant level reservoirs shown on Bulletin F747. Featuring the same design applications of venting, .50 (12.70mm) level adjustment and surge capacity. This combination of side or bottom outlet eliminates the need to inventory two different reservoirs. Simply remove the pipe plug from the outlet to be used, and put it into the non-functioning port. For installation instructions, see ENG. STD. 118.03 a, b, and c.

STANDARD MATERIALS:

- Aluminum construction
- Buna N seals
- Break-resistant, colorless transparent acrylic

OPERATING CONDITIONS:

- Acrylic up to 160°F (71.1°C)
- Ratings are at atmospheric pressure



**MODIFICATIONS AVAILABLE-MADE TO ORDER-CONSULT FACTORY
(MINIMUM ORDER MAY BE REQUIRED).**

CATALOG NUMBER	CAPACITY	A INCHES (mm)	B INCHES (mm)
RCL133	2-1/2 ounce (73.9 milliliter)	2.00 (50.80)	2.75 (69.85)
RCL135	4 ounce (118.3 milliliter)	2.50 (63.50)	2.75 (69.85)

CONSTANT LEVEL RESERVOIRS
SIDE AND BOTTOM OUTLET
BULLETIN F747A

3/02



LUBE DEVICES, INC.

1864 NAGLE AVE., P.O. BOX 1810, MANITOWOC, WI 54221-1810
PHONE: (920) 682-6877 FAX: (920) 684-7210
E-MAIL: sales@lubedevices.com WEBSITE: www.lubedevices.com