

# **“LUBE-O-MATIC”- SOLENOID WITH INTEGRAL SIGHT FEED**

The exclusive “LUBE-O-MATIC” features an integral solenoid/sight feed package which offers automatic fluid flow. The coil wires (normally closed valve) connect across the drive line or start switch allowing the unit to feed only when the machine is running. This package is price competitive with the cost of the solenoid alone. The knurled adjustment wheel provides positive, smooth feed rate adjustment from full-flow to shut-off. A large vented sight window is provided for easy viewing of the feed rate.

## **STANDARD MATERIALS:**

- Class ‘B’ molded water resistant coil
- Needle valve is brass construction

## **OPERATING CONDITIONS:**

- All commercial voltages are available.
- 11.5 watts power consumption for all units
- .094 (2.39mm) minimum orifice
- Gravity flow

## **HOW TO ORDER:**

After catalog number, specify the voltage / Hertz required, separate with a dash (-).

### **VOLTAGE:**

- 26 120V/60Hz, 1Ph
- 27 240V/60Hz, 1Ph
- 28 480V/60Hz, 1Ph
- 42 12V, DC
- 43 24V, DC

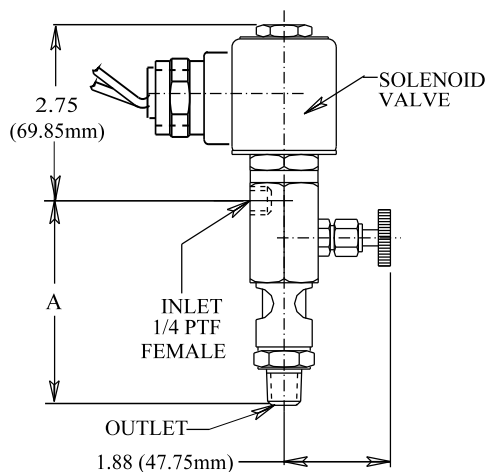
**EXAMPLE:** ESS102-26—120V/60Hz, 1Ph.

Solenoid voltage  
Series ESS102  
(Angle pattern)

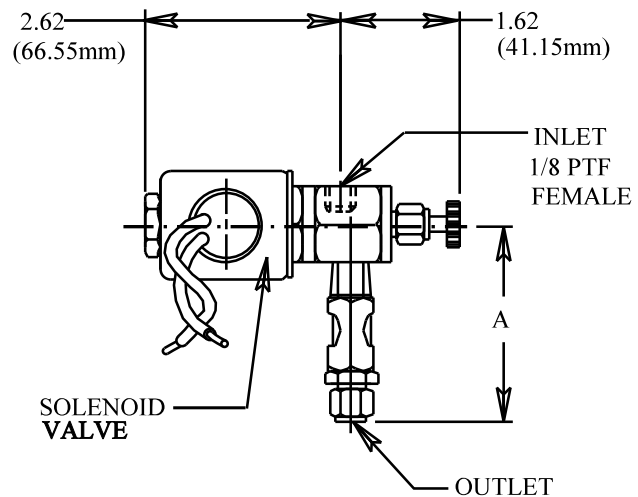
**MODIFICATIONS AVAILABLE MADE TO ORDER - CONSULT OUR FACTORY  
(MINIMUM ORDER MAY BE REQUIRED)**

## **YOUR CHOICE OF TWO PATTERNS - ANGLE AND STRAIGHT**

### **ANGLE PATTERN**



### **STRAIGHT PATTERN**



CATALOG NUMBER	OUTLET	A - INCHES (mm)
ESS101	1/4 TUBE	3.19 (81.03)
ESS102	1/4 MALE NPTF	3.19 (81.03)
ESS103	1/8 MALE NPTF	3.00 (76.20)

CATALOG NUMBER	OUTLET	A - INCHES (mm)
ESS151	1/8 MALE NPTF	2.50 (63.50)
ESS152	1/4 MALE NPTF	2.56 (65.02)
ESS155	1/4 TUBE	2.62 (66.55)

“LUBE-O-MATIC” - SOLENOID WITH INTEGRAL SIGHT FEED

5/07 **BULLETIN F987**

**ISO9001:2000 CERTIFIED**



**Lube Devices • Flodar • Hydra-Tool • Vescor**

1864 Nagle Ave. P. O. Box 1810

Manitowoc, WI 54221-1810

Phone: (920) 682-6877 Fax: (920) 684-7210

E-MAIL: sales@ldi-industries.com WEBSITE: www.ldi-industries.com