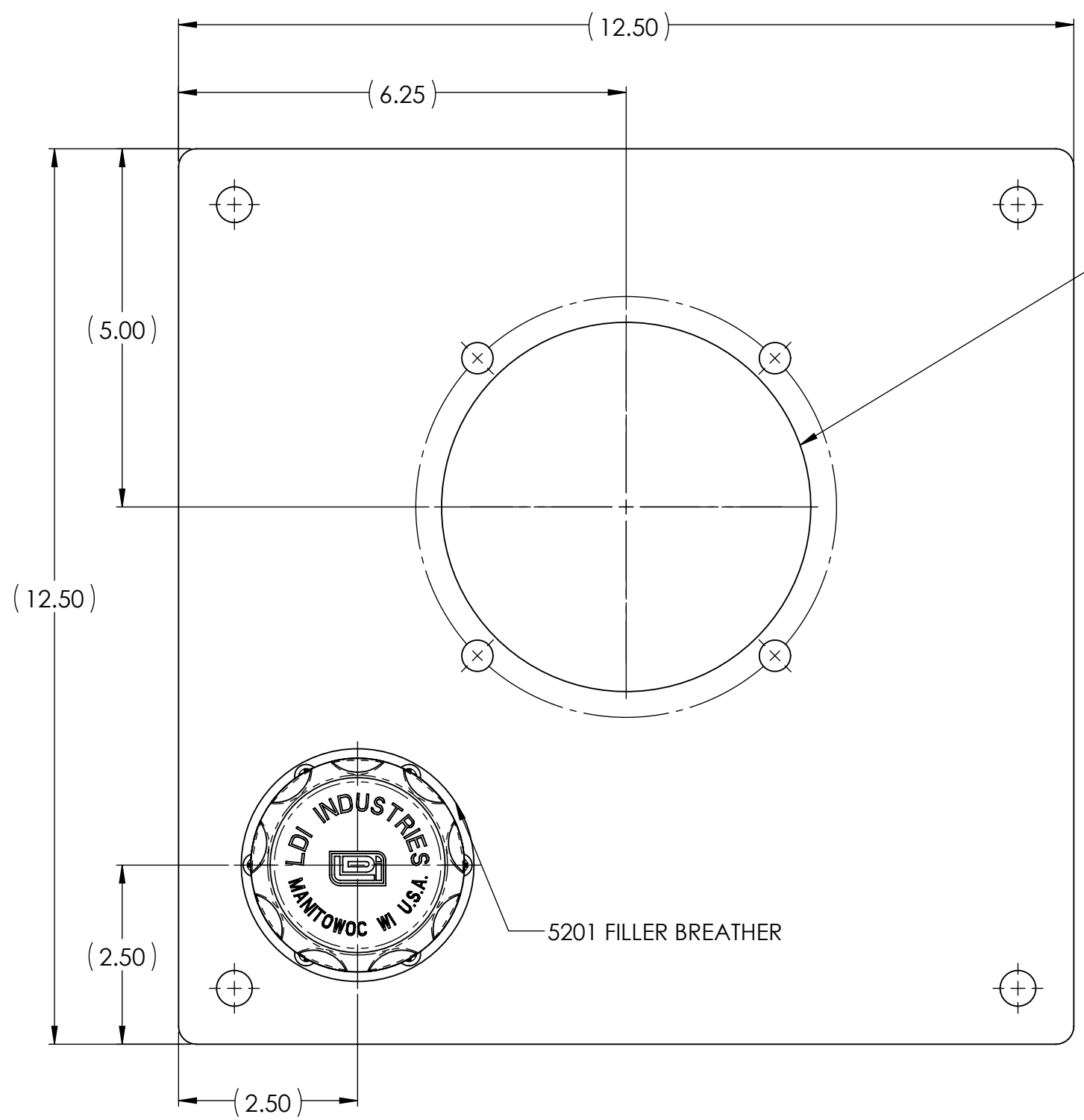


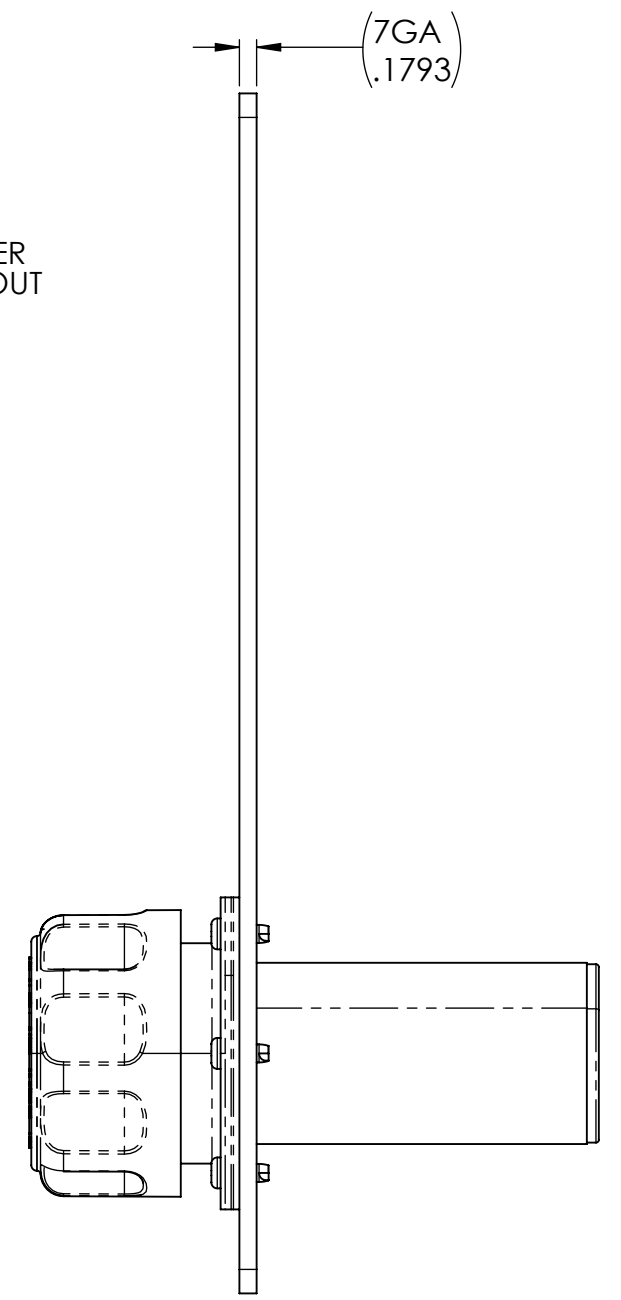
8 7 6 5 4 3 2 1

D  
C  
B  
A



56C/145TC ADAPTER  
STYLE 1,1A,1B CUTOUT

5201 FILLER BREATHER



- NOTE:
1. SHIPPED LOOSE: FILLER BREATHER (STEEL WITH ZINC TRIVALENT CHROME FINISH)
  2. BOTTOM SURFACE COATED WITH RUST PREVENTATIVE OIL, TOP SURFACE AND EDGES PRIME PAINTED GRAY PRIOR TO SHIPMENT.
  3. ANY SUBSEQUENT CUTTING OR WELDING ON THE UNIT COULD CAUSE CONTAMINATION AND WILL VOID THE WARRANTY.

ALL DIMENSIONS FOR REFERENCE ONLY

**LDI Industries**  
 MANITOWOC, WI HUNTLEY, IL

MATERIAL -  
 FINISH -  
 CUST NO -

NAME	DATE	TITLE:	
DRAWN BY ABC	06/20/2014	COVER_FB/ADPTR CUTOUT_SERIES1	
CHECKED BY -	-	-	
REVISED BY -	-	-	
THIS DOCUMENT CONTAINS INFORMATION PROPRIETARY TO LDI INDUSTRIES, INC. AND IS FURNISHED UPON THE EXPRESS CONDITION THAT THE INFORMATION CONTAINED HEREIN WILL NOT BE DISCLOSED TO ANY THIRD PARTY OR USED DIRECTLY OR INDIRECTLY IN ANY WAY DETRIMENTAL TO THE INTEREST OF LDI INDUSTRIES, INC.		ECN NO	-
SIZE	DWG. NO.	REV	
<b>B</b>	99926_REF	<b>A</b>	
DO NOT SCALE DRAWING	SCALE: 1:2	WT(LB): 7.43	SHT 1 OF 1

8 7 6 5 4 3 2 1