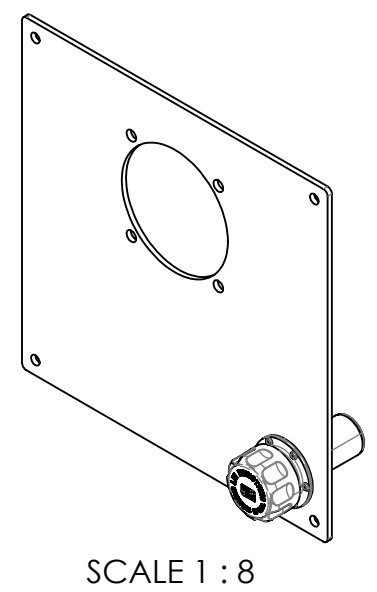
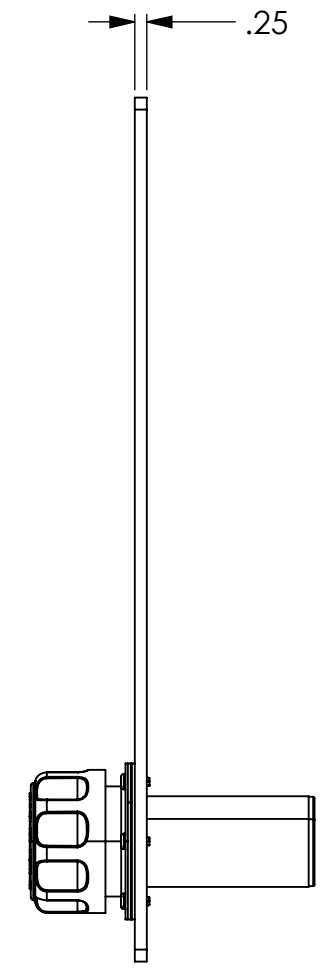
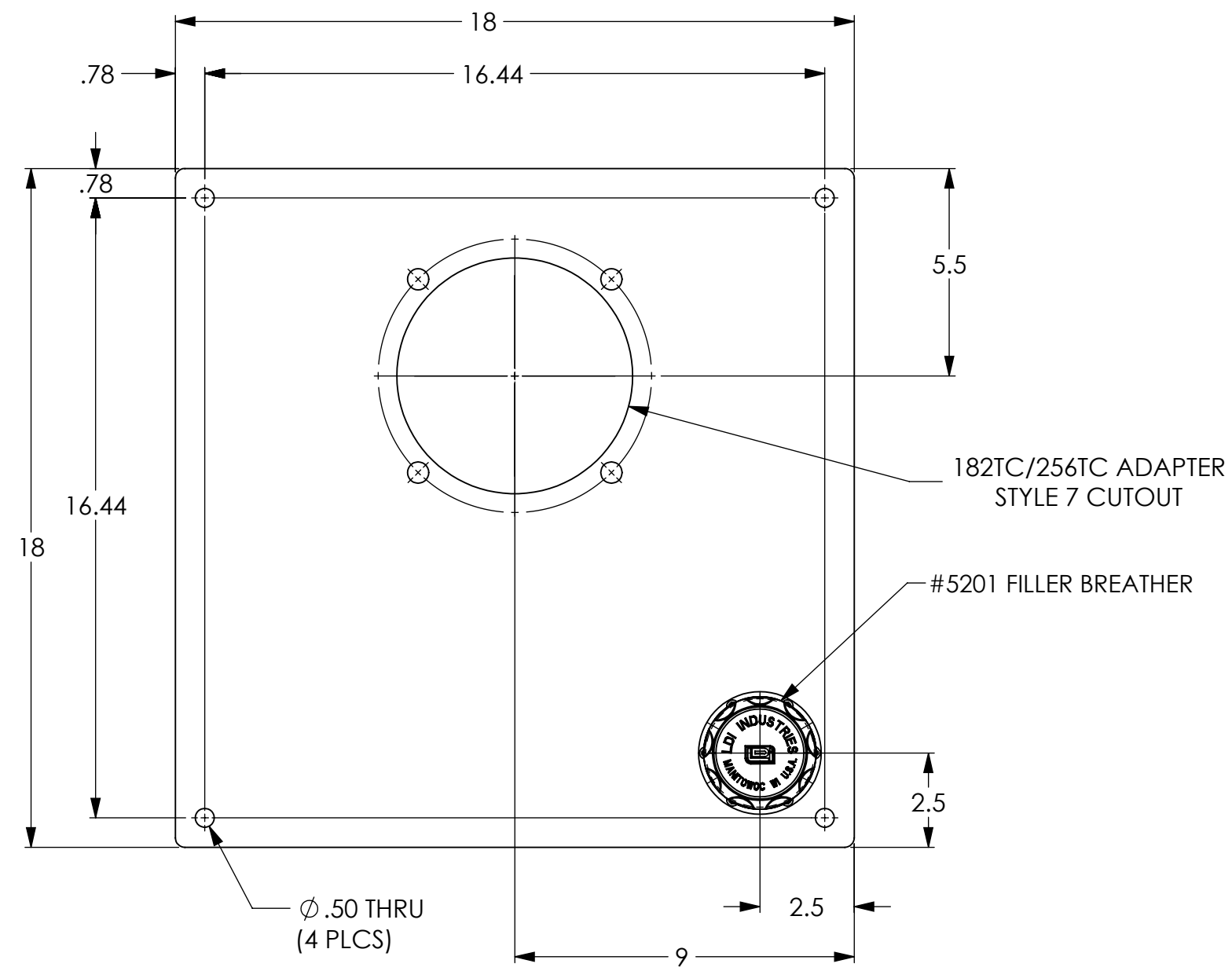


8 7 6 5 4 3 2 1

NOTE:
 1. SHIPPED LOOSE: FILLER BREATHER (STEEL WITH ZINC TRIVALENT CHROME FINISH)
 2. BOTTOM SURFACE COATED WITH RUST PREVENTIVE OIL
 TOP SURFACE AND EDGES PRIME PAINTED GRAY PRIOR TO SHIPMENT



ALL DIMENSIONS FOR REFERENCE ONLY

LDI Industries
 MANITOWOC, WI HUNTLEY, IL
 MATERIAL STEEL
 FINISH SEE NOTES
 CUST NO -

NAME	DATE
RDV	03/21/2014
CHECKED BY	-
REVISED BY	-

THIS DOCUMENT CONTAINS INFORMATION PROPRIETARY TO LDI INDUSTRIES, INC. AND IS FURNISHED UPON THE EXPRESS CONDITION THAT THE INFORMATION CONTAINED HEREIN WILL NOT BE DISCLOSED TO ANY THIRD PARTY OR USED DIRECTLY OR INDIRECTLY IN ANY WAY DETRIMENTAL TO THE INTEREST OF LDI INDUSTRIES, INC.

TITLE:		-	
COVER_FB/ADPTR CUTOUT_SERIES3		-	
ECN NO	-		
SIZE	DWG. NO.	REV	
B	99955_REF	A	
DO NOT SCALE DRAWING	SCALE: 1:4	WT(LB): 21.26	SHT 1 OF 1

8 7 6 5 4 3 2 1