

INLINE FILTER - LIQUID

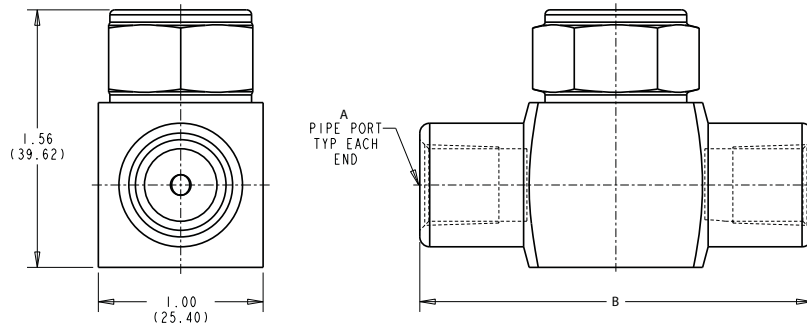
The Liquid Inline Filter can be used in liquid lines where dirt or particles could cause clogging, such as oil going to a spray valve. The inline cap can be taken off to clean the filter without dismantling unit from the line.

Standard Materials:

- Brass construction
- Buna N seals
- 40 micron filter

Temperate and Pressure Ratings:

- Maximum working pressure up to 150 PSI (1034 kPa)
- Maximum temperature up to 175°F (79°C)



NOTE: All dimensions are inches (mm)



Inline Filter - Liquid

Part No.	A PTF	B inches (mm)
LF201-02	1/4-18	2.38 (60.45)
LF201-03	3/8-18	2.62 (66.55)

Dimensions and specifications are subject to change without notice. Not all items are Made-To-Stock, contact us for availability.

06/16

Ph : 920-682-6877
Fx : 920-684-7210



sales@ldi-industries.com
www.ldi-industries.com