

VENTED OIL GAGES

G150 SERIES

The G150 Series vented oil gage has a long male elbow base for direct side mounting. The viewing window has 360° adjustment for optimal orientation to view fluid after installation. The sealing gaskets are contained on both their ID and OD to facilitate trouble-free assembly after on-site repositioning of the viewing window.

Standard Features:

- .69 inch SQ base
- Male tapered pipe thread base connection (1/8, 1/4 or 3/8 inch NPTF)
- .39 inch wide viewing window, length varies from 1.33 to 4.33 inches depending on gage selected
- 360° adjustment of viewing window
- Suitable for use with most machine lubricating oils

Standard Materials:

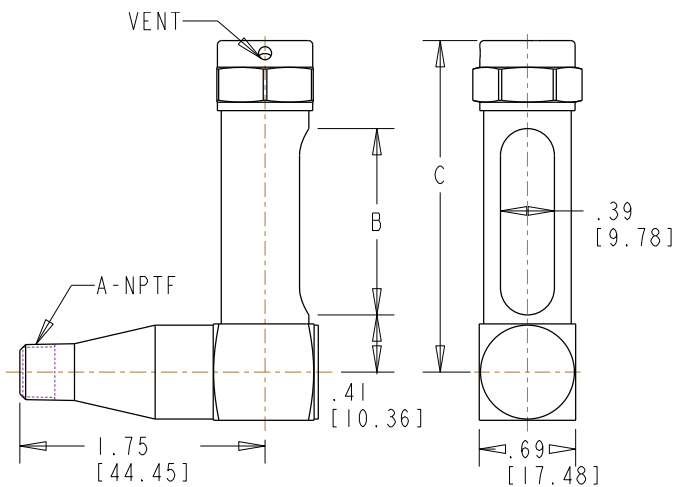
- Brass construction
- Buna N seals
- Borosilicate glass sight

Temperature Rating:

- Maximum operating temperature of 250°F (121°C) with standard Buna N seals. For applications not compatible with Buna N seal material, consult factory for available options and corresponding temperature ratings

Notes:

- When installing oil gage in a confined space, disassemble base from oil gage to allow the individual base to be installed separately to the reservoir. Once base is in position and secure, reassemble the loose oil gage components to the base.
- Oil Gage Modifications are available, please see Appendix LE-1 on page LE-A1 for more information.



NOTE: All dimensions are inches [mm]



G150 Series			
Part No.	A NPTF	B inches (mm)	C inches (mm)
G152-1	1/8	1.33 (33.78)	2.32 (58.93)
G152-2	1/4	1.33 (33.78)	2.32 (58.93)
G152-3	3/8	1.33 (33.78)	2.32 (58.93)
G153-1	1/8	1.83 (46.48)	2.82 (71.63)
G153-2	1/4	1.83 (46.48)	2.82 (71.63)
G153-3	3/8	1.83 (46.48)	2.82 (71.63)
G154-2	1/4	2.33 (59.18)	3.32 (84.33)
G155-1	1/8	2.83 (71.88)	3.82 (97.03)
G155-2	1/4	2.83 (71.88)	3.82 (97.03)
G155-3	3/8	2.83 (71.88)	3.82 (97.03)
G156-1	1/8	3.33 (84.58)	4.32 (109.73)
G156-2	1/4	3.33 (84.58)	4.32 (109.73)
G156-3	3/8	3.33 (84.58)	4.32 (109.73)
G157-2	1/4	4.33 (109.98)	5.32 (135.13)
G157-3	3/8	4.33 (109.98)	5.32 (135.13)

Dimensions and specifications are subject to change without notice. Not all items are Made-To-Stock, contact us for availability.

08/15

Ph : 920-682-6877
Fx : 920-684-7210



sales@ldi-industries.com
www.ldi-industries.com