

VENTED OIL GAGES

G320 SERIES

The G320 Series vented brass oil gage has a large straight hex base with male pipe thread. A shield with machined viewing window surrounds the tubular glass sight. The viewing window has 360° adjustment for optimal orientation to view fluid after installation. The sealing gaskets are contained on both their ID and OD to facilitate trouble-free assembly after on-site repositioning of the viewing window.

Standard Features:

- Gage base machined from brass hex bar stock
- Male tapered pipe thread base connection (3/8, 1/2 or 3/4 inch NPTF)
- .53 inch wide viewing window, length varies from 4.33 to 12.58 inches depending on gage selected
- 360° adjustment of viewing window
- Suitable for use with most machine lubricating oil

Standard Materials:

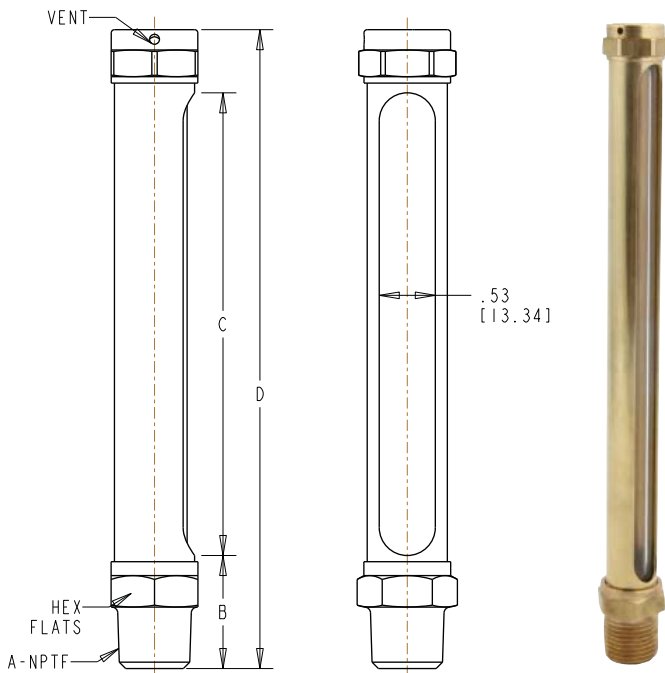
- Brass construction
- Buna N seals
- Borosilicate glass sight

Temperature Rating:

- Maximum operating temperature of 250°F (121°C) with standard Buna N seals. For applications not compatible with Buna N seal material, consult factory for available options and corresponding temperature ratings.

Note:

- Oil Gage Modifications are available, please see Appendix LE-1 on page LE-A1 for more information.



NOTE: All dimensions are inches [mm]

G320 Series					
Part No.	A NPTF	B inches (mm)	C inches (mm)	D inches (mm)	HEX FLATS
G321-3	3/8	1.16 (29.46)	4.33 (109.98)	6.00 (152.40)	.81 (20.57)
G321-4	1/2	1.35 (34.29)	4.33 (109.98)	6.19 (157.23)	.94 (23.88)
G322-3	3/8	1.16 (29.46)	5.58 (141.73)	7.25 (184.14)	.81 (20.57)
G322-4	1/2	1.35 (34.29)	5.58 (141.73)	7.44 (188.98)	.94 (23.88)
G322-5	3/4	1.35 (34.29)	5.58 (141.73)	7.44 (188.98)	1.06 (26.92)
G323-2	1/4	1.16 (29.46)	7.58 (192.53)	9.25 (234.95)	.81 (20.57)
G323-4	1/2	1.35 (34.29)	7.58 (192.53)	9.44 (239.78)	.94 (23.88)
G324-2	1/4	1.16 (29.46)	9.58 (243.33)	11.25 (285.75)	.81 (20.57)
G324-3	3/8	1.16 (29.46)	9.58 (243.33)	11.25 (285.75)	.81 (20.57)
G324-4	1/2	1.35 (34.29)	9.58 (243.33)	11.44 (290.58)	.94 (23.88)
G325-3	3/8	1.16 (29.46)	12.58 (319.53)	14.25 (361.95)	.81 (20.57)
G325-4	1/2	1.35 (34.29)	12.58 (319.53)	14.44 (366.78)	.94 (23.88)