

SIGHT PLUGS

LSP1301 SERIES

The LSP1301 Series low pressure steel sight plug has a clear glass sight and male SAE straight thread connection. Designed to be an economical alternative to high performance fused sight plugs, the LSP1301 Series sight plug features a tamper resistant construction with the reliability of an o-ring seal. The sight plug can be accessorized with reflector, float ball and choice of tank seal material. Box quantities may apply.

Standard Features:

- Stud end sizes from dash 08 (3/4-16UNF) to dash 28 (2 1/4-12UN) per SAE J1926/3
- Clear glass sight
- Zinc clear finish
- Available with open view or combination of reflector, float ball and tank seal

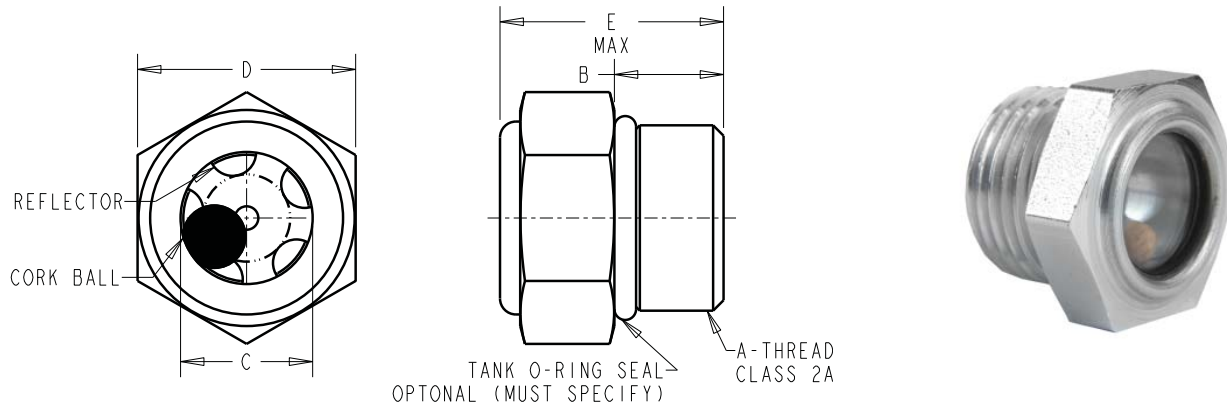
Standard Materials:

- Carbon steel construction
- Glass sight
- Stainless Steel reflector (when applicable)
- Cork float ball (when applicable)

Temperature and Pressure Ratings:

- Maximum operating temperature up to 180°F (82°C).
(For applications requiring maximum operating temperatures in excess of 180°F (82°C), consult factory for available options.)
- See chart below for pressure ratings

- CAUTION:**
- Do not use an impact wrench to install a sight plug
 - Not recommended for steam applications
 - Scratched glass significantly reduces the pressure rating of the sight plug



LSP1301 Series									
Part No.									Max. Work. Pressure @ 69 °F (20 °C)
Open View	Reflector	Reflector and Ball	Min/Mult Box Quantity	A thread	B inches (mm)	C inches (mm)	D inches (mm)	E inches (mm)	PSI (kPa)
LSP1301-08	LSP1301-08-01	LSP1301-08-02	25	3/4-16UNF	.44 (11.18)	.56 (14.22)	.88 (22.35)	.91 (23.11)	75 (517)
LSP1301-12	LSP1301-12-01	LSP1301-12-02	25	1 1/16-12UN	.59 (14.99)	.77 (19.56)	1.25 (31.75)	1.05 (26.67)	75 (517)
LSP1301-16	LSP1301-16-01	LSP1301-16-02	15	1 5/16-12UN	.59 (14.99)	.96 (24.38)	1.50 (38.10)	.99 (25.15)	75 (517)
LSP1301-24	LSP1301-24-01	LSP1301-24-02	10	1 7/8-12UN	.59 (14.99)	1.44 (36.58)	2.00 (50.80)	1.17 (29.72)	20 (138)

ORDERING OPTIONS CODES:

Tank O-Ring Seal Codes:
 -TB- Buna N seals
 -TV- Viton® seals

HOW TO ORDER

EXAMPLE:
LSP1301-12 TB-01 - Reflector
 Tank O-Ring Seal
 1 1/16-12UN
 Series LSP1301

Dimensions and specifications are subject to change without notice. Not all items are Made-To-Stock, contact us for availability.

02/14

Ph : 920-682-6877
 Fx : 920-684-7210



sales@ldi-industries.com
 www.ldi-industries.com