

SIGHT PLUGS

LSP1351 SERIES

The LSP1351 Series fused high pressure steel sight plug has a clear glass sight and male SAE straight thread connection. The fused, one-piece construction allows for higher operating pressures. The sight plug can be accessorized with reflector and float ball. The material choice for o-ring tank seal typically determines the operating temperature range for this series sight plug. Box quantities may apply.

Standard Features:

- Stud end sizes from dash 06 (9/16-18UNF) to dash 28 (2¼-12UN) per SAE J1926/3
- Fused clear glass sight
- Electroless Nickel finish
- Available with reflector and float ball or just reflector

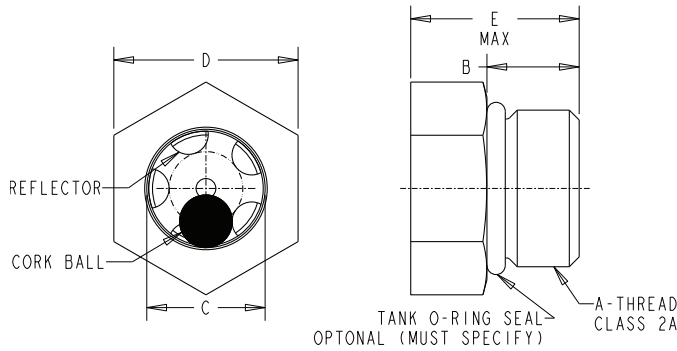
Standard Materials:

- Carbon steel construction
- Glass sight
- Stainless Steel reflector (when applicable)
- Cork float ball (when applicable)

Temperature Ratings:

- Temperature ratings vary by material selection for o-ring tank seal. Consult Temperature Ratings by Seal Material in appendix (see Appendix RA-5)

- CAUTION:**
- Do not use an impact wrench to install a sight plug
 - Not recommended for steam applications
 - Scratched glass significantly reduces the pressure rating of the sight plug



ORDERING OPTIONS CODES:

Tank O-Ring Seal Codes:

- TB- Buna N seals
- TV- Viton® seals

HOW TO ORDER

EXAMPLE:
LSP1351-08 TB-01 - Reflector
 Tank O-Ring Seal
 3/4-16UNF Thread
 Series LSP1351



LSP1351 Series									
Open View	Part No. Reflector	Part No. Reflector With Ball	Min/ Mult Box Quantity	A thread	B inches (mm)	C inches (mm)	D inches (mm)	E inches (mm)	Max. Work. Pressure @ 69 ° F (20 ° C) PSI (kPa)
LSP1351-06*	-	-	25	9/16-18UNF	.39 (9.91)	.38 (9.65)	.69 (17.48)	.73 (18.54)	1850 (12756)
LSP1351-08	LSP1351-08-01	LSP1351-08-02	25	3/4-16UNF	.44 (11.18)	.56 (14.22)	.88 (22.35)	.81 (20.57)	1750 (12066)
LSP1351-10*	-	-	25	7/8-14UNF	.50 (12.70)	.64 (16.26)	1.00 (25.40)	.84 (21.34)	1600 (6232)
LSP1351-12*	LSP1351-12-01*	LSP1351-12-02*	25	1 1/16-12UN	.59 (14.99)	.75 (19.05)	1.25 (31.75)	.92 (23.37)	1500 (10342)
LSP1351-16*	-	-	15	1 5/16-12UN	.59 (14.99)	1.05 (26.67)	1.50 (38.10)	1.02 (25.91)	1050 (7240)
LSP1351-20*	-	-	15	1 5/8-12UN	.59 (14.99)	1.19 (30.23)	1.88 (47.75)	1.10 (27.94)	900 (6205)
LSP1351-24*	-	-	10	1 7/8-12UN	.59 (14.99)	1.62 (41.15)	2.12 (53.98)	1.12 (28.45)	600 (4137)
LSP1351-28*	LSP1351-28-01*	LSP1351-28-02*	10	2 1/4-12UN	.63 (16.00)	1.88 (47.75)	2.50 (63.50)	1.03 (26.16)	500 (3448)

* Made to order and minimums will apply

Dimensions and specifications are subject to change without notice. Not all items are Made-To-Stock, contact us for availability.

09/24

Ph : 920-682-6877
 Fx : 920-684-7210



sales@ldi-industries.com
 www.ldi-industries.com