

SELF FLARE TUBE FITTINGS

ABA1000 SERIES

The ABA1000 Series self flare straight adapter consists of a Self Flare tube connection and a male JIC (37°) tube connection on the opposite end. The OD and wall thickness of the tube making the Self Flare connection will determine the dash size and whether a BA or BAX version of the Self Flare fitting is required for the application.

Standard Features:

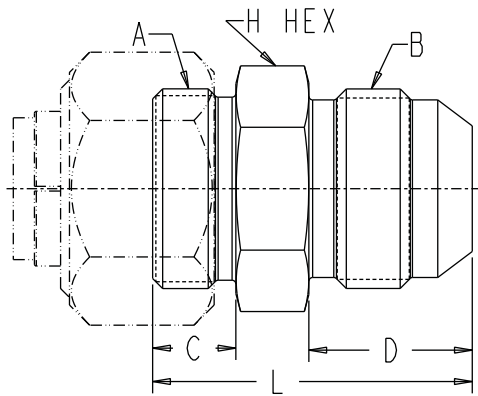
- Tube sizes from -4 (.25 inch) to -32 (2.00 inch)
- ABAX1000 adapters available for applications with heavy wall tubing
- Includes Self Flare swivel tube nut and sleeve

Standard Materials:

- Steel construction
- Black oxide finish on fitting body and Self Flare tube sleeve
- Zinc plated, steel Self Flare swivel tube nut

CAUTION

- System operating conditions and maximum pressures dictate tubing requirements. LDI Self Flare fittings require matching the tube connection on the adapter to the tube wall thickness selected for the application.
- Fully annealed and cleaned tubing is preferred. Consult factory for applications that require alloy tubing or tube wall thicknesses that exceed published limits for BA and BAX tube connections.



ABA1000 Series (inches)

Part No.	Tube OD	A	B	C	D	L	H
ABA1000-4	1/4	1/2-20	7/16-20	0.38	0.55	1.16	1/2
ABA1000-5	5/16	9/16-18	1/2-20	0.41	0.55	1.19	9/16
ABA1000-6	3/8	5/8-18	9/16-18	0.41	0.56	1.23	5/8
ABA1000-8	1/2	3/4-16	3/4-16	0.44	0.66	1.36	13/16
ABA1000-10	5/8	7/8-16	7/8-14	0.44	0.77	1.53	15/16
ABA1000-12	3/4	1 1/16-16	1 1/16-12	0.44	0.86	1.69	1 1/8
ABA1000-14	7/8	1 3/16-16	1 3/16-12	0.44	0.89	1.72	1 1/4
ABA1000-16	1	1 5/16-16	1 5/16-12	0.50	0.91	1.80	1 3/8
ABA1000-20	1 1/4	1 5/8-16	1 5/8-12	0.69	0.95	2.13	1 3/4
ABA1000-24	1 1/2	1 15/16-16	1 7/8-12	0.69	1.08	2.31	2
ABA1000-32	2	2 1/2-12	2 1/2-12	0.69	1.33	2.72	2 5/8

Dimensions and specifications are subject to change without notice. Not all items are Made-To-Stock, contact us for availability.

02/14

Ph : 920-682-6877
Fx : 920-684-7210



sales@ldi-industries.com
www.ldi-industries.com