

SELF FLARE TUBE FITTINGS

BA2000 SERIES

The BA2000 Series self flare 90° elbow adapter is made up of a tube connection on one end and a male pipe thread connection on the other end. For the tube connection, the OD and wall thickness of the tube to be joined to the self flare fitting will determine the dash size and whether a BA or BAX version of the self flare fitting is required for the application.

Standard Features:

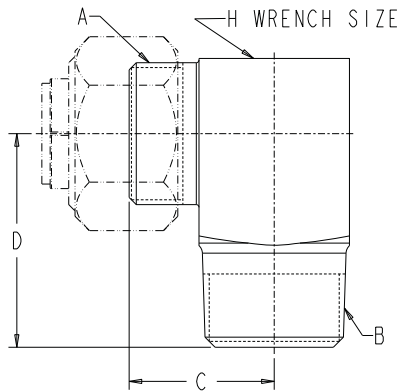
- Tube sizes from -2 (.125 inch) to -32 (2.00 inch)
- Machined from steel bar stock
- Jump sizes are available
- BAX2000 adapters available for applications with heavy wall tubing
- Includes swivel tube nut and self flare sleeve

Standard Materials:

- Steel construction
- Black oxide finish on fitting body and tube sleeve
- Zinc plated, steel swivel tube nut

CAUTION

- System operating conditions and maximum pressures dictate tubing requirements. LDI Self Flare fittings require matching the tube connection on the adapter to the tube wall thickness selected for the application.
- Fully annealed and cleaned tubing is preferred. Consult factory for applications that require alloy tubing or tube wall thicknesses that exceed published limits for BA and BAX tube connections.



BA2000 Series (inches)

Part No.	Tube OD	A	B (NPTF)	C	D	H
BA2000-2	1/8	5/16-24	1/8-27	0.63	0.72	7/16
BA2000-3	3/16	3/8-24	1/8-27	0.63	0.72	7/16
BA2000-4	1/4	1/2-20	1/8-27	0.69	0.78	1/2
BA2000-4-4	1/4	1/2-20	1/4-18	0.75	1.09	9/16
BA2000-5	5/16	9/16-18	1/8-27	0.78	0.78	9/16
BA2000-5-4	5/16	9/16-18	1/4-18	0.82	1.09	9/16
BA2000-6	3/8	5/8-18	1/4-18	0.78	1.09	5/8
BA2000-6-2	3/8	5/8-18	1/8-27	0.78	0.92	5/8
BA2000-6-6	3/8	5/8-18	3/8-18	0.84	1.22	3/4
BA2000-6-8	3/8	5/8-18	1/2-14	0.94	1.47	7/8
BA2000-8	1/2	3/4-16	3/8-18	0.88	1.22	3/4
BA2000-8-4	1/2	3/4-16	1/4-18	0.88	1.16	3/4
BA2000-8-8	1/2	3/4-16	1/2-14	0.97	1.47	7/8
BA2000-8-12	1/2	3/4-16	3/4-14	1.06	1.59	1 1/8
BA2000-10	5/8	7/8-16	1/2-14	0.97	1.47	7/8
BA2000-10-6	5/8	7/8-16	3/8-18	0.97	1.28	7/8
BA2000-10-12	5/8	7/8-16	3/4-14	1.06	1.59	1 1/8
BA2000-12	3/4	1 1/16-16	3/4-14	1.08	1.59	1 1/8
BA2000-12-8	3/4	1 1/16-16	1/2-14	1.08	1.56	1 1/8
BA2000-14	7/8	1 3/16-16	3/4-14	1.13	1.69	1 1/4
BA2000-16	1	1 5/16-16	1-11 1/2	1.27	1.97	1 3/8
BA2000-16-12	1	1 5/16-16	3/4-14	1.27	1.72	1 3/8
BA2000-20	1 1/4	1 5/8-16	1 1/4-11 1/2	1.63	2.38	1 3/4
BA2000-24	1 1/2	1 15/16-16	1 1/2-11 1/2	1.75	2.63	2
BA2000-32	2	2 1/2-12	2-11 1/2	2.00	3.00	2 1/2

Dimensions and specifications are subject to change without notice. Not all items are Made-To-Stock, contact us for availability.

06/17

Ph : 920-682-6877
Fx : 920-684-7210



sales@ldi-industries.com
www.ldi-industries.com