

SELF FLARE TUBE FITTINGS

BA2200 SERIES

The BA2200 Series self flare 90° elbow adapter forms a tube to tube connection. The OD and wall thickness of the tubes to be joined to the Self Flare fitting will determine the dash size and whether a BA or BAX version of the Self Flare fitting is required for the application.

Standard Features:

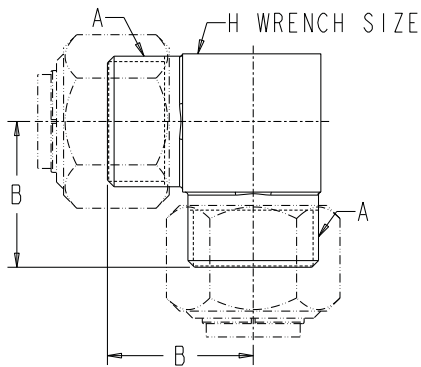
- Tube sizes from -2 (.125 inch) to -32 (2.00 inch)
- Machined from solid steel bar stock - free from brazing, welding and soldering
- BAX2200 adapters available for applications with heavy wall tubing
- Includes swivel tube nuts and Self Flare sleeves

Standard Materials:

- Steel construction
- Black oxide finish on fitting body and tube sleeves
- Zinc plated, steel swivel tube nuts

CAUTION

- System operating conditions and maximum pressures dictate tubing requirements. LDI Self Flare fittings require matching the tube connection on the adapter to the tube wall thickness selected for the application.
- Fully annealed and cleaned tubing is preferred. Consult factory for applications that require alloy tubing or tube wall thicknesses that exceed published limits for BA and BAX tube connections.



BA2200 Series (inches)				
Part No.	Tube OD	A	B	H
BA2200-2	1/8	5/16-24	0.63	7/16
BA2200-3	3/16	3/8-24	0.63	7/16
BA2200-4	1/4	1/2-20	0.72	1/2
BA2200-5	5/16	9/16-18	0.82	9/16
BA2200-6	3/8	5/8-18	0.80	5/8
BA2200-8	1/2	3/4-16	0.91	3/4
BA2200-10	5/8	7/8-16	0.97	7/8
BA2200-12	3/4	1 1/16-16	1.08	1 1/8
BA2200-14	7/8	1 3/16-16	1.13	1 1/4
BA2200-16	1	1 5/16-16	1.27	1 3/8
BA2200-20	1 1/4	1 5/8-16	1.63	1 3/4
BA2200-24	1 1/2	1 15/16-16	1.75	2
BA2200-32	2	2 1/2-12	2.06	2 1/2

Dimensions and specifications are subject to change without notice. Not all items are Made-To-Stock, contact us for availability.

02/14

Ph : 920-682-6877
Fx : 920-684-7210



sales@ldi-industries.com
www.ldi-industries.com